

TGS 33.400 6X4 BBS-WW / L26WAE31



Vehicle description:

Vehicle Standard data:

Variant description; TGS 33.400 6X4 BBS-WW

Basic vehicle Number: L26WAE31

Emission class: EURO 2

Vehicle type: Semitrailer tractor, Conventional

Cab: L Cab

Wheelbase: 3200 mm

Overhang: 700 mm

Steering layout: Left

Permissible Weight

	NATZU	TECHN	TECH+
Total weight	26000 Kg	33000 Kg	33000 Kg
Perm. Total weight	44000 Kg	44000 Kg	44000 Kg
Front axle	8000 Kg	8000 Kg	8000 Kg
Rear axle	12000 Kg	13000 Kg	13000 Kg
Rear axle 2	12000 Kg	13000 Kg	13000 Kg

Key:

NATREG: National permissible weights

TECHN: Technically permissible weights

TECH+: Technically permissible weights including additional load for special deployment.

TMH Rental B.V.
Visiting address
Kerkhof 8
4301 EP Zierikzee
The Netherlands

Postal address
Postbus 4056
3102 GB Schiedam
The Netherlands

✉ sales@tmh.nl
🌐 tmh.nl

Bank
NL52 INGB 0008 0182 68 NL54 RABO 0322 5593 91
Swift INGBNL2A Swift RABONL2U

Btw nr: NL 857769248B01
KvK nr: 69177961

Configuration for: TGS 33.400 6X4 BBS-WW / L26WAE31

Explanation:

Equipement:

Engine Cooling System Clutch:

- Engine D2066LF06 - 400 hp / 294 KW EURO2 - 1900 Nm Common-Rail (018SI)
- Radiator and intercooler for over 35 degrees ambient temperature (027AP)
- Visco fan (116AE)
- Fan control for use in hot countries (116AZ)
- Short mounting base (engine only) (118EK)
- EDC engine regulation (118MA)
- Fuel filter (124AL)
- Additional fuel filter heated with water trap (124AT)
- Connection for external engine speed control (ZDR) (203EK)
- Air compressor 1-cylinder, 360 ccm (205AN)
- Without exhaust valve brake (EVB) (208XD)
- Without flame-start/jump-start system (210XX)
- Single-disc clutch DTE 430, reinforced (211FQ)
- Stoneguard grille in front of radiator (280EU)
- Electronic speed limiter 89 km/h + 1km/h tolerance (345AU)
- Cruise control (345EA)
- Supplier declaration (542DM)
- Anti-noise measures are not in accordance with EU standard (542FX)
- Confirmation for international registration (542IZ)

Intake / Exhaust System :

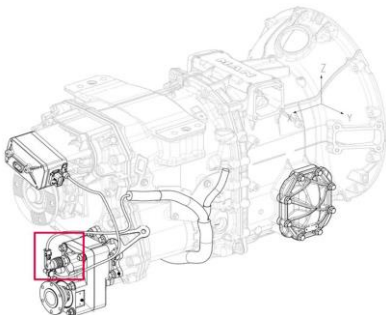
- Air intake raised with dry air filter (201AS)
- Air filter cartridge with safety insert for heavy-duty deployment (201EM)
- Exhaust on lh side with tail pipe towards rear (206ET)

Gearbox :

- Gearbox ZF 16 S 223 DD (022H1)


Power Take-Offs:

Electrical preparation for retrofitting a PTO (308CB)



TMH Rental B.V.
 Visiting address
 Kerkhof 8
 4301 EP Zierikzee
 The Netherlands

Postal address
 Postbus 4056
 3102 GB Schiedam
 The Netherlands

✉ sales@tmh.nl


Bank
 NL52 INGB 0008 0182 68 NL54 RABO 0322 5593 91
 Swift INGBNL2A Swift RABONL2U

Btw nr: NL 857769248B01
 KvK nr: 69177961

Front Axle / Front Springs / Front Axle Load

- Front axle VO-09 straight (025MK)
- Front springs parabolic 8.0 t (026EC)
- Medium-height design (281AB)
- Stabiliser for front axle (363AA)

Rear Axle / Rear Springs / Rear Axle Load

- Rear springs parabolic 13 t (028EC)
- Fit tandem axles (028PA)
- Hub-reduction rear axle HPD-1382/ HP-1352 (034MH)
- With differential lock in rear axle (037AC)
- Rear axle breather upswept (227AC)
- Stabiliser on 2nd rear axle only (362AF)

Transmission ratios:

- Planetary axle ratio $i = 3.63$ (035KK)

Rims:

- Disc wheels 10 hole 9.00-22.5 on 1st FA TL (038GG)
- Disc wheels 10-hole 9.00-22.5 on 1st RA TL (038PG)
- Disc wheels 10-hole 9.00-22.5 on 2nd RA TL (038RG)
- Without spare wheel (038XT)
- Without spare wheel holder (245XX)
- Recytyre 10 banden (BE687)

Tyres:

Front axle

2 * WA 13R22,5 LENK-NAH TL 156/150 K
81#R0000824 wahlweise Strg-Sh








Rear axle

4 * WA 13R22,5 ANTR-S+G TL 154/150 K
81#R0000827 wahlweise Drive-S + G

Rear axle 2

4 * WA 13R22,5 ANTR-S+G TL 154/150 K
81#R0000827 wahlweise Drive-S + G

Label:

	 Fuel efficiency class (A-G)	 Wet grip class (AG)	 Rolling noise	 Rolling noise class (1-3)
Front axle	D	C	71 dB	
Rear axle	E	C	75 dB	
Rear axle 2	E	C	75 dB	

Fuel Tanks:

- Fuel tank 400l right (023EH)
- Fuel tank fitted (03KAA)
- Strainer for fuel tank (123CC)
- Lockable tank fastener - 1 u. ventilated for master key system (303AX)

Steering:

- Steering arrangement, left (001AA)
- Steering wheel with height and inclination adjustment (030EE)
- Steering wheel lock (256AA)

Frame:

- Wheelbase 3200+1400 mm (005MU)
- Rear frame overhang 700 mm (006BO)
- Without front underride guard (230XW)
- 3-part steel bumper (233EM)
- Cross member for trailer coupling (236AF)
- Without working platform (280YX)

Trailer/Fifth-wheel Coupling:

- 5th-wheel coupling JOST JSK 37 C height 185 mm (491EL)
- Kingpin to rear axle centre 1075 mm (493MP)
- JOST fifth-wheel base plate 40 mm (fifth-wheel loads up to 36t) (493YT)

Brake System:

- MAN BrakeMatic (electronic brake system) (032AB)
- Anti-lock braking system (ABS) (258HA)
- Disc brake for front axle (259CA)
- Drum brake for rear axle (259CE)
- 2-line brake connection behind cab (262AZ)
- Air dryer (370CM)

TMH Rental B.V.
Visiting address
Kerkhof 8
4301 EP Zierikzee
The Netherlands

Postal address
Postbus 4056
3102 GB Schiedam
The Netherlands
✉ sales@tmh.nl
🌐 tmh.nl

Bank
NL52 INGB 0008 0182 68 NL54 RABO 0322 5593 91
Swift INGBNL2A Swift RABONL2U

Btw nr: NL 857769248B01
KvK nr: 69177961

Cab exterior:

- L cab 2240mm wide, 2280mm long (050NF)
- Storage box accessible from outside - flap unlocked from inside (052AE)
- Front panel unlockable from inside (05NAE)
- Entry lighting for driver and co-driver (272FA)
- Cab mounts on coil springs for 'L,LX ,XL,XLX,XXL' cab (283FS)
- Central locking (321EC)
- Windscreen of laminated glass tinted (380AC)
- Door windows tinted (380CA)
- Cab rear wall without windows (381AA)
- Side windows tinted behind B-post (385AT)
- Mechanical sliding roof (386AS)
- Kerb mirror, right (392AH)
- Electrically heated and adjustable rear view mirror, heated wide-angle mirror (392CZ)
- Mirror brackets for body width 2500-2600 mm width 2500 mm (392HA)
- Without front mirror on co-driver's side/at centre (392XJ)
- Spray reducer (404AP)

Cab interior:

- Seat coverings in standard quality (058BA)
- Driver's seat static, longitudinal, seat back and height adjustment (058NE)
- Co-driver's seat static, with longitudinal + seat back adjustment (059NA)
- Door interior panelling washable (080AE)
- Brushed aluminium insert on instrument panel (150WR)
- Air conditioning system AC R134A without CFHC (153KA)
- Without cab insulation NORDIC (against cold) for M, L and LX cab (159XS)
- Fine dust and pollen filter (201FA)LX cab (159XS)
- Fine dust and pollen filter (201FA)
- Red/white interior lighting in cab roof (310LH)
- Reading lamp for driver (319AR)
- 1 bunk with storage space (with aluminium frame) (376FA)
- Mattress for lower bunk (376HA)
- Bunk cover for bottom bunk (376KA)
- Without Mattress for upper bunk (376XK)
- All-round curtain (381CE)
- Diagonal curtain (381CM)
- Electric door window lifters for driver and co-driver (387AF)
- Roller blind for windscreen, mechanical (388AH)
- Handles left and right (on B-post) (389AC)
- Handles left and right (on A-post) (389AD)
- Cup holder in dashboard (390CT)
- Without pigeon hole on rear wall (390XB)
- Without oddment box (390XX)
- Interior design in Sand (434DA)
- Plastic floor and engine tunnel covering (538AE)

TMH Rental B.V.

Visiting address
Kerkhof 8
4301 EP Zierikzee
The Netherlands

Postal address

Postbus 4056
3102 GB Schiedam
The Netherlands

✉ sales@tmh.nl
🌐 tmh.nl

Bank

NL52 INGB 0008 0182 68 NL54 RABO 0322 5593 91
Swift INGBNL2A Swift RABONL2U

Btw nr: NL 857769248B01
KvK nr: 69177961

Instruments:

- Instrument panel km/h 'High-Line in colour' (02AAG)
- Without electronic tachograph (042XY)
- MAN Tronic (on-board computer) (325AA)
- Language 1 'Dutch' for display in instrument panel (325EK)
- Language 2 'French' for display in instrument panel (325FE)
- Display on the dashboard for operating data (339FP)
- Charging pressure indicator (346CA)

Lights:

- Halogen twin headlights H7 for right-hand traffic (310EE)
- Daytime driving lights (ECE R87-compliant) (310HB)
- LED clearance lamps (318AI)
- Lateral marker lights (318AK)

Radio /Communication Systems:

- MAN Media Truck radio, 12 V with five-inch colour display (350NN)
- Without navigation SD (350XO)
- AUX-IN/USB in the instrument panel (351US)

Electrical System:

- Electrical spiral cable 24-V 15-pin to 15-pin to semitrailer (04WAC)
- Two-tone horn,electric (324AC)
- 15-pin 24 V trailer socket behind cab (326CP)
- Trailer socket for ABS behind cab (326CR)
- Battery main switch, mechanical (327AF)
- Two 12-V 155-Ah batteries (329CS)
- Battery box up to 175 Ah (329ER)
- Maintenance sign for batteries - 'maintenance-free' (329HC)
- 28V three-phase alternator 120A 3360W Longlife Eco (331CY)


Other:

- Operator's manual in English (194AB)
- Antifreeze effective down to -35 degrees (373AE)
- 1 Fire extinguisher, Belgian, 3 kg (394ED)
- Mudflap front (400AH)
- Plastic mudguard rear (half-shell; without spray reduction) (401CQ)
- Bonding set, separate (405AC)
- Hazard-warning sign (405AK)
- Omission of hazard warning lights (405CK)
- Without jack (407XX)
- 1 chock (411AA)
- Wheel bolt covers front (417AC)

TMH Rental B.V.

Visiting address
 Kerkhof 8
 4301 EP Zierikzee
 The Netherlands

Postal address
 Postbus 4056
 3102 GB Schiedam
 The Netherlands

✉ sales@tmh.nl


Bank
 NL52 INGB 0008 0182 68 NL54 RABO 0322 5593 91
 Swift INGBNL2A Swift RABONL2U

Btw nr: NL 857769248B01
 KvK nr: 69177961

Operation and Country-specific Items:

- General PTO parameterisation (119EH)
- Fittings for right-hand traffic (600AC)

Load variants and miscellaneous:

- Propshafts for high load profile (029GC)
- Registration as N3 vehicle, (GVW > 12t) (542NC)
- Height over cab, unloaded up to 4000 mm (798LF)
- Vehicle can be registered only as off-road vehicle to directive 70/156/EEC; note body (798WK)

Colours:

Chassis 9011 graphite black RAL 9011 matt W

Wheels 9006 White aluminium acrylic RAL 9006 N

Cab 9010 Pure white RAL 9010 N

Drive line: TGS 33.400 6X4 BBS-WW/L26WAE31

Vehicle data Drive line

Transport task:

Application: Street

Road Speed: 89 km/u

Truck Combination: Articulated train

Driving surface: Asphalt street

Tyre profile: eco

Air Resistance:

Cab: L Cab

vehicule front Surface: 0 x 0 mm

Höhe über Fahrerhaus: 3093 mm

Air duct equipment : Without Aero package

Body: ohne

Engine:

Name: Engine D2066LF06 - 440 ch / 294 kW EURO
2, 1900 Nm, common-Rail

Power: 440 HP (294 kW)

Economy Band: 1350-1455 1/min

Max RPM: 1800 1/min

Gearbox:

Name: Gearbox ZF 16 S 223 DD

Ratio 16,41-1,00

1/16.41	5/ 7.76	9/ 3.59	13/ 1.7
2/ 13.8	6/ 6.53	10/ 3.02	14/1.43
3 /11.28	7/ 5.43	11/ 2.47	15/1.19
4 /9.49	8 /4.57	12/ 2.08	16/1.0

max. permissible total weight: 180000 kg

Gears (forward/ reverse): 16/2

Rear axle:

Name: hub-reduction rear axle AP HPD-1382/hp-1352

Construction Type :AP

Load Capacity: 26000

Ratio: 3.63

max. permissible total weight: 70000 kg

Tyres rear axle:

Name: WA 13R22,5 ANTR-S+G TL 154/150 K

Diametre: 1130.0 mm

Circumference: 3448.0 mm

Load capacity single/twin (axle): 7500/13400 kg

Results Drive line:

RPM for rating speed : RPM for rating speed (89 km/u) 1560 [rpm]

Remaining gradability : in the largest gear for Road speed 1.7%

Traction : Slipping barrier Asphalt street 38 %

Speed:

Speed in km/h (Street gears)

Gear	Ratio	at max	Speed	at1000rpm	Gear	Ratio	At max.	À1000 tr/min
1	16.41		6.5	3.5	10	3.02	speed	
2	13.8		7.7	4.1	11	2.47	35.3	18.9
3	11.28		9.5	5.1	12	2.08	43.2	23.1
4	9.49		11.2	6.0	13	1.7	51.3	27.4
5	7.76		13.7	7.3	14	1.43	62.8	33.5
6	6.53		16.3	8.7	15	1.19	74.6	39.9
7	5.43		19.6	10.5	16	1.0	89.7	47.9
8	4.47		23.3	12.5	R1	15.36	106.7	57.0
9	3.59		29.7	15.9	R2	12.92	6.9	3.7
							8.3	4.4

TMH Rental B.V.

Visiting address

Kerkhof 8
4301 EP Zierikzee
The Netherlands

Postal address

Postbus 4056
3102 GB Schiedam
The Netherlands

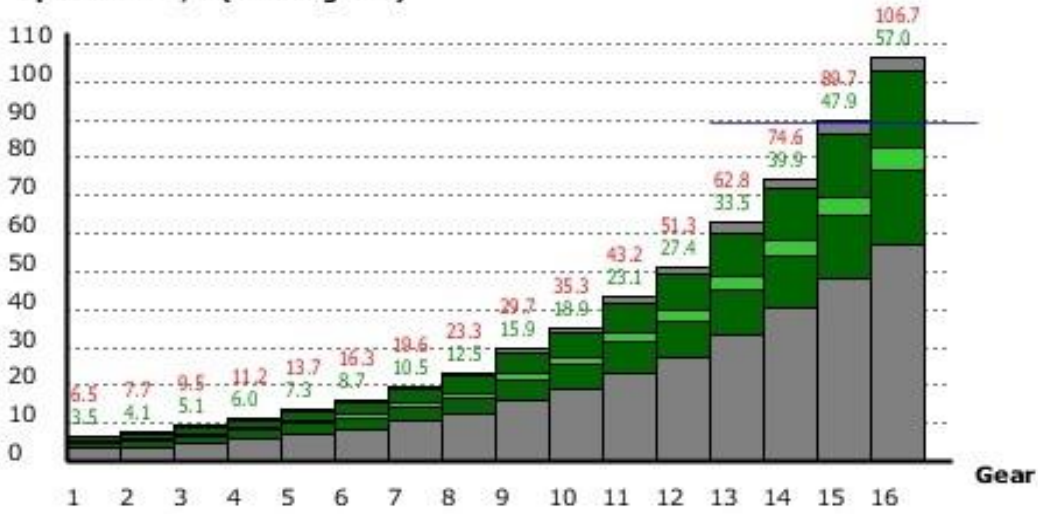
✉ sales@tmh.nl
🌐 tmh.nl

Bank

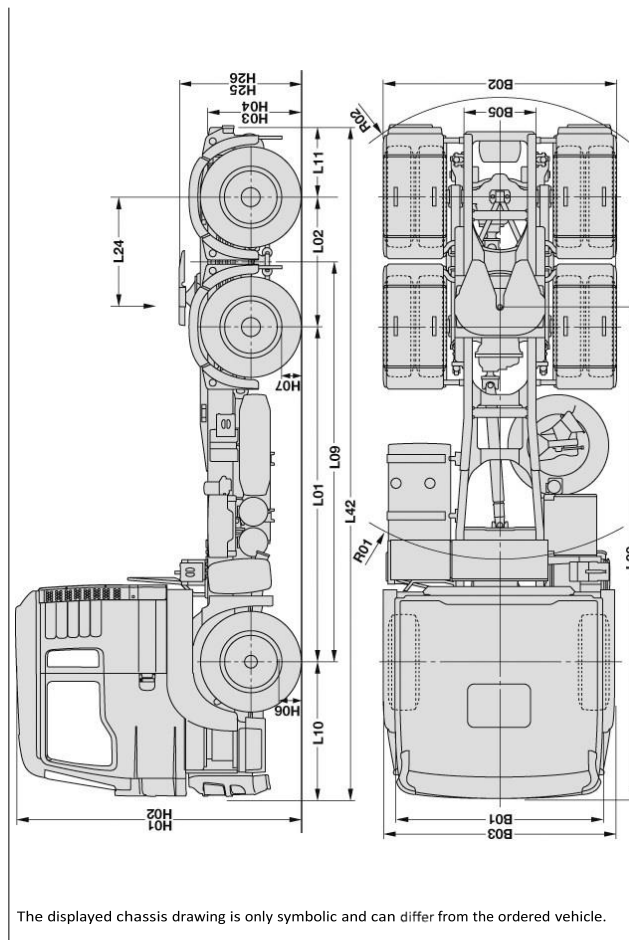
NL52 INGB 0008 0182 68 NL54 RABO 0322 5593 91
Swift INGBNL2A Swift RABONL2U

Btw nr: NL 857769248B01
KvK nr: 69177961

Speed in km/u (Street gears)



Chassis drawing: L26WAE31 / TGS 33.400 6X4 BBS-WW



TMH Rental B.V.
 Visiting address
 Kerkhof 8
 4301 EP Zierikzee
 The Netherlands

Postal address
 Postbus 4056
 3102 GB Schiedam
 The Netherlands

✉ sales@tmh.nl

Bank
 NL52 INGB 0008 0182 68
 Swift INGBNL2A
 NL54 RABO 0322 5593 91
 Swift RABONL2U

Btw nr: NL 857769248B01
 KvK nr: 69177961